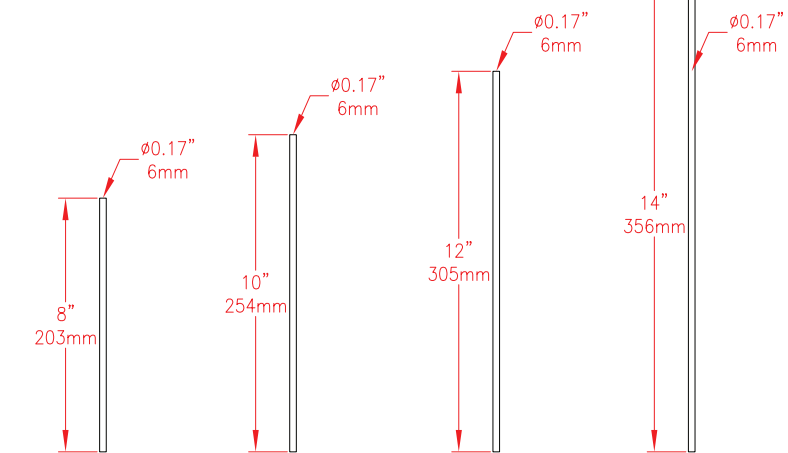


TS3

TS4

TS5

TS6

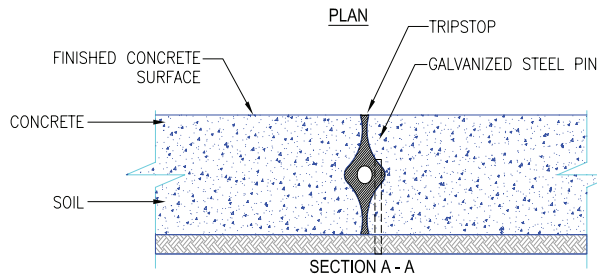
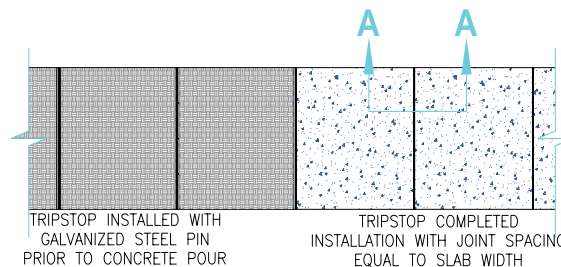
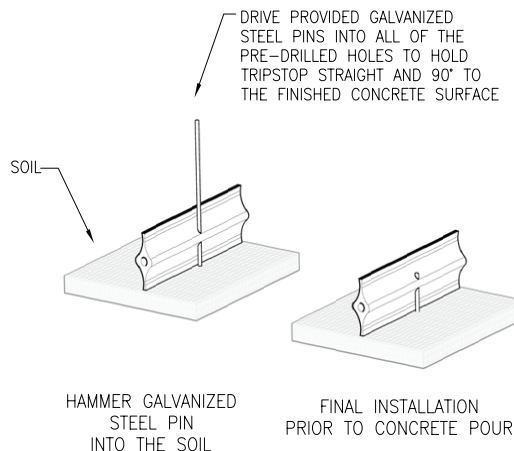


TSP3
GALVANIZED STEEL PIN
Ø0.25" x 8" LONG
Ø6mm x 203mm LONG

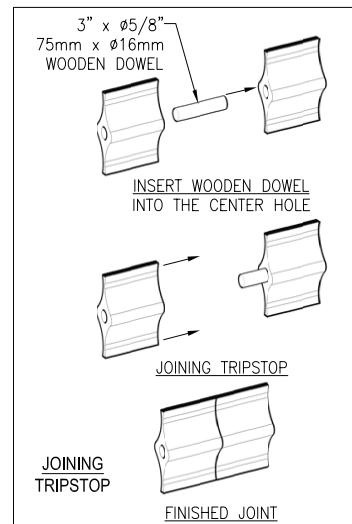
TSP4
GALVANIZED STEEL PIN
Ø0.25" x 10" LONG
Ø6mm x 254mm LONG

TSP5
GALVANIZED STEEL PIN
Ø0.25" x 12" LONG
Ø6mm x 305mm LONG

TSP6
GALVANIZED STEEL PIN
Ø0.25" x 14" LONG
Ø6mm x 356mm LONG



| TRIPSTOP PART NUMBER | TRIPSTOP DIMENSION H x L | GALVANIZED STEEL PIN PART NUMBER | GALVANIZED STEEL PIN SIZE & QUANTITY | SIDEWALK SLAB DIMENSION H x L x W |
|----------------------|-----------------------------|----------------------------------|--------------------------------------|---|
| TS3-4 | 3" x 48" 75mm x 1200mm | TSP3 | 8" x 3 PINS 203mm x 3 PINS | 3" x 48" x 48" 75mm x 1200mm x 1200mm |
| TS3-5 | 3" x 60" 75mm x 1500mm | TSP3 | 8" x 4 PINS 203mm x 4 PINS | 3" x 60" x 60" 75mm x 1500mm x 1500mm |
| TS3-20 | 3" x 240" 75mm x 6096mm | TSP3 | 8" x 16 PINS 203mm x 16 PINS | 3" x CUT TO FIT 75mm x CUT TO FIT |
| TS4-4 | 4" x 48" 100mm x 1200mm | TSP4 | 10" x 3 PINS 254mm x 3 PINS | 4" x 48" x 48" 100mm x 1200mm x 1200mm |
| TS4-5 | 4" x 60" 100mm x 1500mm | TSP4 | 10" x 4 PINS 254mm x 4 PINS | 4" x 60" x 60" 100mm x 1500mm x 1500mm |
| TS4-20 | 4" x 240" 100mm x 6096mm | TSP4 | 10" x 16 PINS 254mm x 16 PINS | 4" x CUT TO FIT 100mm x CUT TO FIT |
| TS5-4 | 5" x 48" 125mm x 1200mm | TSP5 | 12" x 3 PINS 305mm x 3 PINS | 5" x 48" x 48" 125mm x 1200mm x 1200mm |
| TS5-5 | 5" x 60" 125mm x 1500mm | TSP5 | 12" x 4 PINS 305mm x 4 PINS | 5" x 60" x 60" 125mm x 1500mm x 1500mm |
| TS5-20 | 5" x 240" 125mm x 6096mm | TSP5 | 12" x 16 PINS 305mm x 16 PINS | 5" x CUT TO FIT 125mm x CUT TO FIT |
| TS6-4 | 6" x 48" 150mm x 1200mm | TSP6 | 14" x 3 PINS 356mm x 3 PINS | 6" x 48" x 48" 150mm x 1200mm x 1200mm |
| TS6-5 | 6" x 60" 150mm x 1500mm | TSP6 | 14" x 4 PINS 356mm x 4 PINS | 6" x 60" x 60" 150mm x 1500mm x 1500mm |
| TS6-20 | 6" x 240" 150mm x 6096mm | TSP6 | 14" x 16 PINS 356mm x 16 PINS | 6" x CUT TO FIT 150mm x CUT TO FIT |



Access Products Inc.

© 2008 ACCESS PRODUCTS INC.
CONFIDENTIAL AND PROPRIETARY DOCUMENT

TRIPSTOP IS SUBJECT TO PATENTS ISSUED OR PENDING IN THE UNITED STATES, AUSTRALIA, CANADA AND INTERNATIONALLY.

® ACCESS LOGO IS A TRADE MARK REGISTERED IN THE UNITED STATES, CANADA AND INTERNATIONALLY.

® TRIPSTOP LOGO IS A TRADE MARK REGISTERED IN THE UNITED STATES, CANADA AND INTERNATIONALLY.

© KENNETH E.SZEKELY

MATERIAL LIST

| ITEM | DESCRIPTION | PART NO. | QTY |
|------|--------------------------------------|----------|-----|
| 1 | TRIPSTOP 3" x 48" 75mm x 1200 mm | TS3-4 | |
| 2 | TRIPSTOP 3" x 60" 75mm x 1500 mm | TS3-5 | |
| 3 | TRIPSTOP 3" x 240" 75mm x 6096mm | TS3-20 | |
| 4 | TRIPSTOP 4" x 48" 100mm x 1200 mm | TS4-4 | |
| 5 | TRIPSTOP 4" x 60" 100mm x 1500mm | TS4-5 | |
| 6 | TRIPSTOP 4" x 240" 100mm x 6096mm | TS4-20 | |
| 7 | TRIPSTOP 5" x 48" 125mm x 1200mm | TS5-4 | |
| 8 | TRIPSTOP 5" x 60" 125mm x 1500mm | TS5-5 | |
| 9 | TRIPSTOP 5" x 240" 125mm x 6096mm | TS5-20 | |
| 10 | TRIPSTOP 6" x 48" 150mm x 1200mm | TS6-4 | |
| 11 | TRIPSTOP 6" x 60" 150mm x 1500mm | TS6-5 | |
| 12 | TRIPSTOP 6" x 240" 150mm x 6096mm | TS6-20 | |
| 13 | TRIPSTOP PIN 8" 203mm | TSP3 | |
| 14 | TRIPSTOP PIN 10" 254mm | TSP4 | |
| 15 | TRIPSTOP PIN 12" 305mm | TSP5 | |
| 16 | TRIPSTOP PIN 14" 356mm | TSP6 | |

DWG. NO. REFERENCE DRAWINGS

| DESCRIPTION | | | |
|-------------|------|----------|-------|
| No. | DATE | REVISION | APPR. |
| | | | |

SCALE 0 3 6 9 12 15

| | | | |
|--------------------------|------------------------------|------|--------------|
| DESIGNED BY | K.S. | DATE | DATE DESIGN |
| DRAWN BY | A.M. | DATE | DATE DRAWN |
| CHECKED BY | D.M. | DATE | DATE CHECKED |
| PROJECT MANAGER | DRAWING UNIT IMPERIAL-METRIC | | |
| TOLERANCE ±0.06"±1.524MM | PART NO. SEE MATERIAL LIST | | |
| MATERIAL | ENGINEERED POLYMER | | |
| SUBJECT | | | |



PROJECT